

# Finlayson

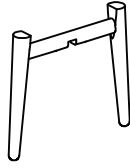
ASSEMBLY INSTRUCTIONS  
ALMA POT WITH STAND

ITEM NO: 60.905.01  
60.905.21

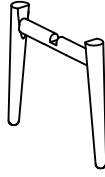
## PARTS



A x1



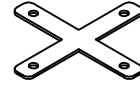
B x1



C x1

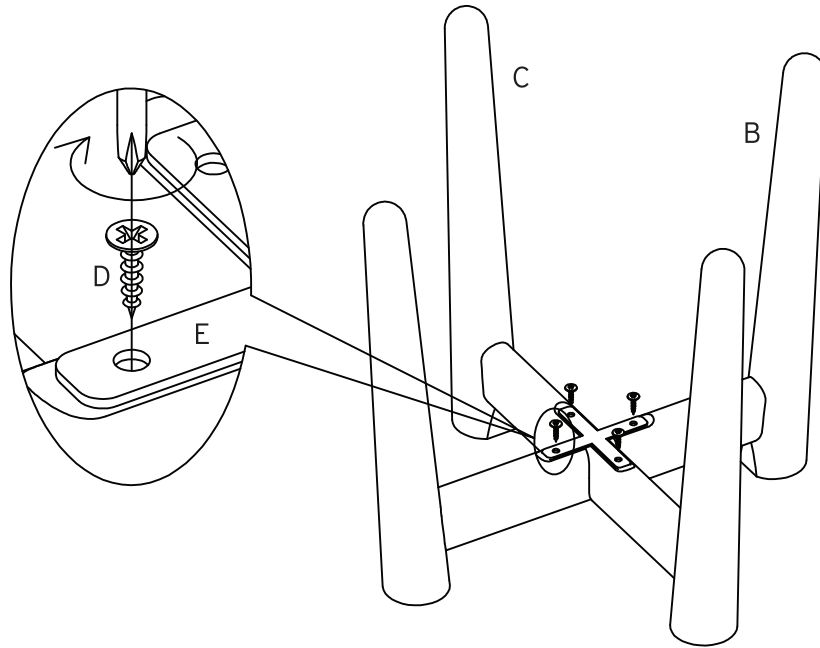


D x4



E x1

## STEP 1



## STEP 2

