

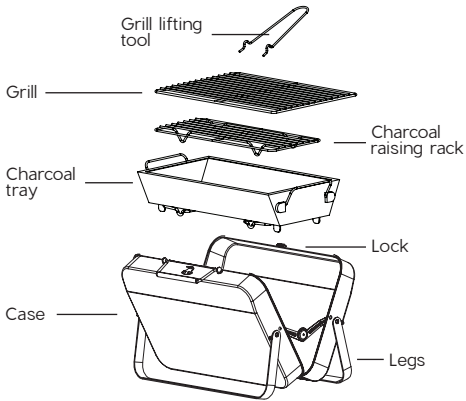


**INTO THE WILD
BBQ
BRIEFCASE**

ITEM **0072** premium goods

Thank you for choosing Maverick's Into The Wild BBQ Briefcase. To ensure proper operation and to maintain the lifespan of the product, please read these instructions carefully before use.

FEATURES AND PARTS

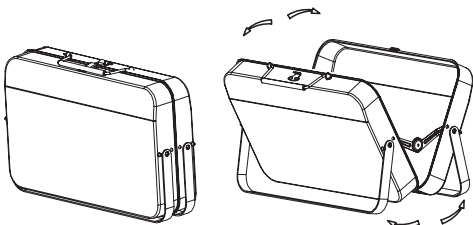


SAFETY FIRST

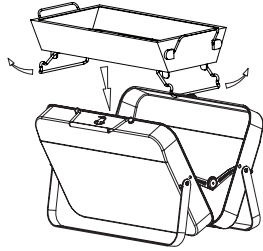
- Do not use until all parts are assembled.
- Children and pets should be kept away from grill and not able to touch it.
- During and soon after use, to avoid burns do not touch or move product as it will be extremely hot.
- Do not add liquid propellants to grill.
- Make sure fire is completely extinguished after use and no kindling or other combustibles are left nearby.

USING YOUR INTO THE WILD BBQ BRIEFCASE.

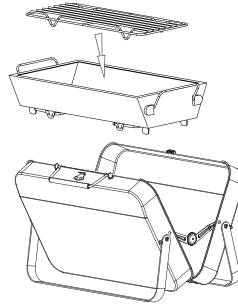
1. Open grill case to the maximum position as shown below. Remove parts. Open out legs as shown to keep case in upright position.



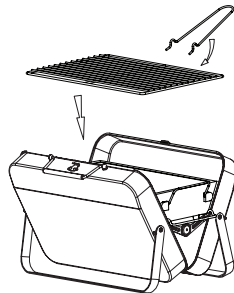
2. Place charcoal tray into the open BBQ case so that it sits securely.



3. Place charcoal raising rack into charcoal tray. Add charcoal (available from BBQ, outdoor and camping stores as well as many supermarkets) to charcoal tray.

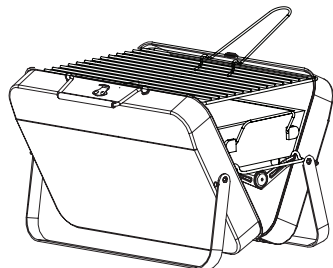


4. Place grill on top of unit. It should sit at the top of the case on the four tabs that sit at the rim.



5. Ignite charcoal and wait until heat is sufficient for cooking.

6. Using appropriate gloves with grill lifting tool, grill can be very carefully removed from top of case.



CLEANING AND STORAGE

After use, wait until parts have fully cooled and remove ash. Grill can be hand washed and dried. Replace grill and put back into charcoal tray. Pack tray inside, close case and lock. Replace legs.

CONTACT

Albi

87 Chifley Drive, Preston, Victoria 3072

P: +61 (03) 9474 1300

E: albi@albi.com.au

www.albi.com.au