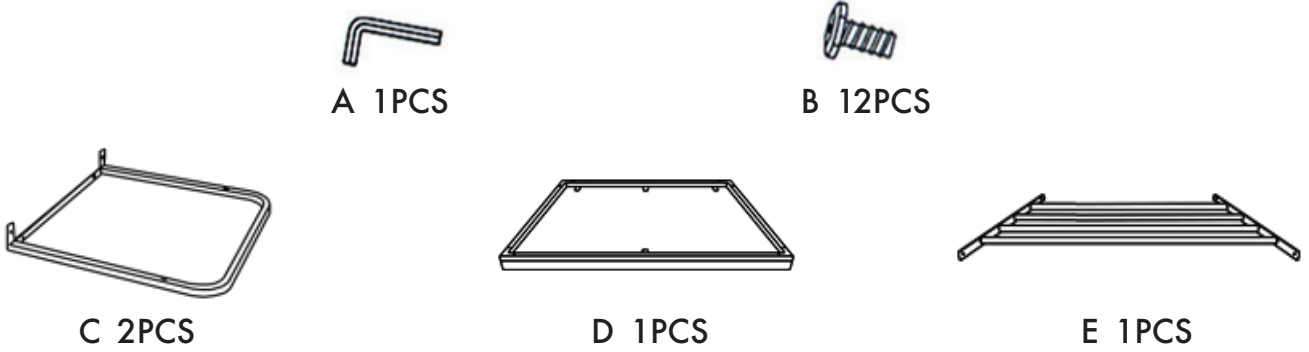
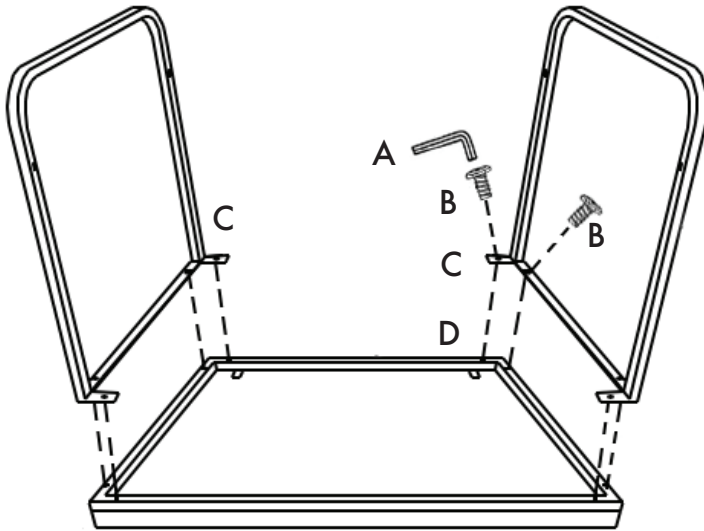


PARTS



STEP 1



FINISHED PRODUCT



STEP 2

