

amalfi

ASSEMBLY INSTRUCTIONS
HUNTINGTON CONSOLE TABLE

ITEM NO: FMFU 600

PARTS



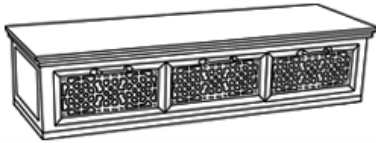
BOLT 1
D8x20mm x 8



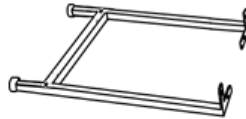
BOLT 2
D6x35mm x 4



ALLEN KEY x 1



A x 1

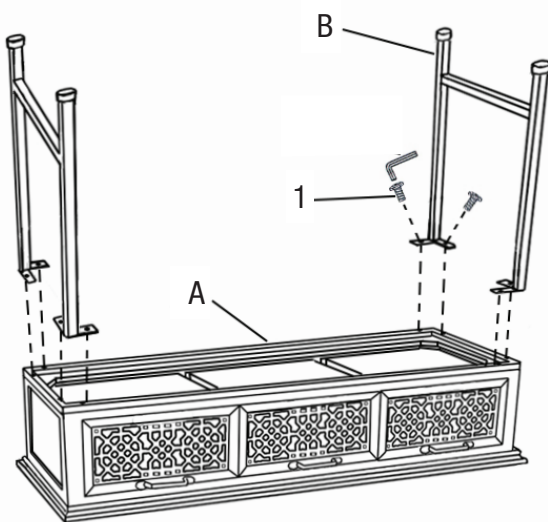


B x 2

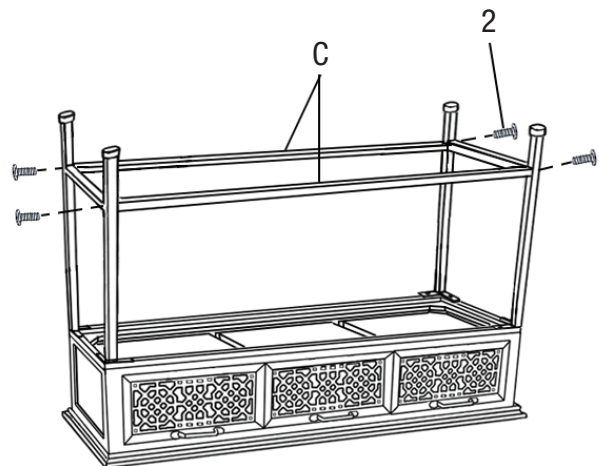


C x 2

STEP 1



STEP 2



FINAL

