

# amalfi

ASSEMBLY INSTRUCTIONS  
BOSTON CONSOLE

ITEM NO: FMTB 1204

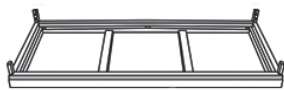
## PARTS



BOLTS x 16



ALLEN KEY x 1



A x 1

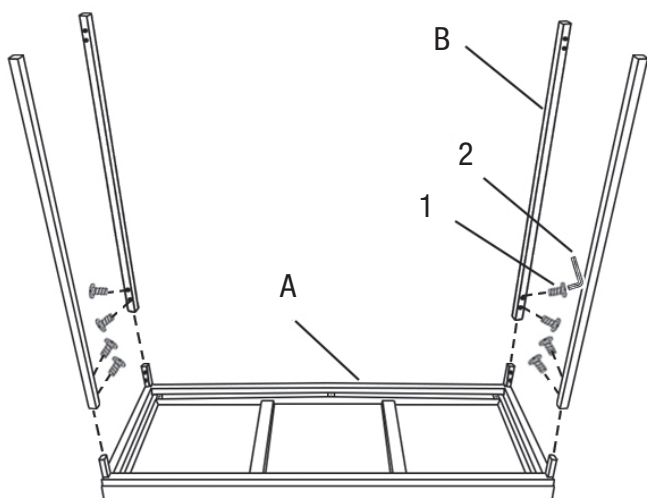


B x 4

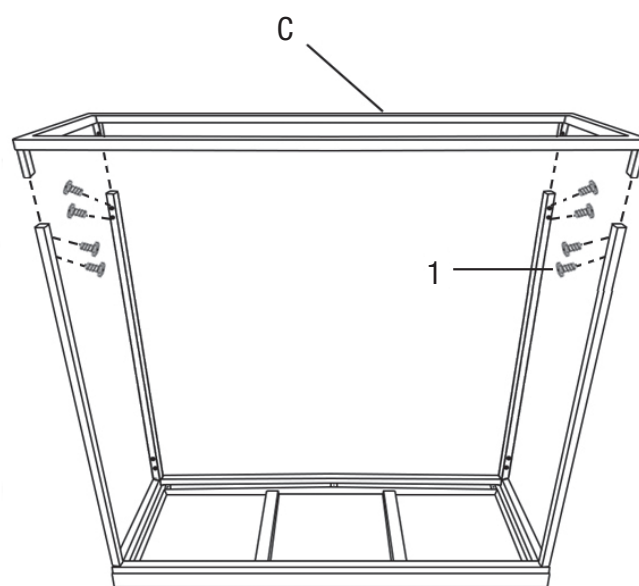


C x 1

## STEP 1



## STEP 2



## FINAL

