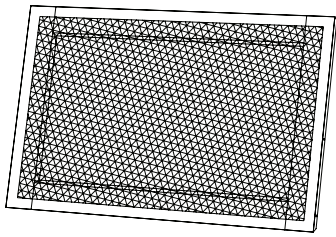


amalfi

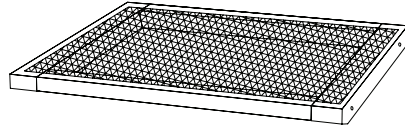
ASSEMBLY INSTRUCTIONS
SANTALI CHAIR

ITEM NO: HFFU 101

PARTS



A x 1



B x 1



C x 2



D x 4



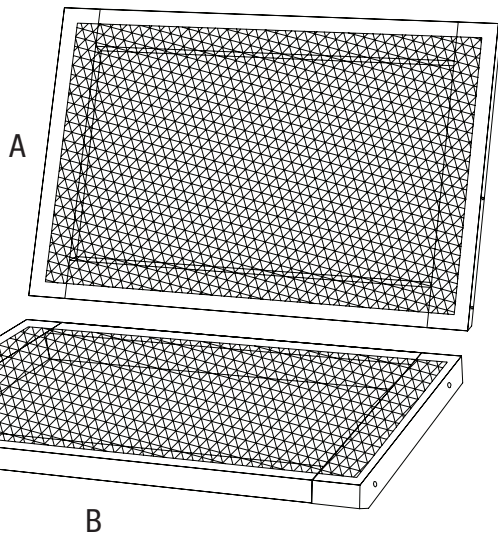
E x 4



F x 1

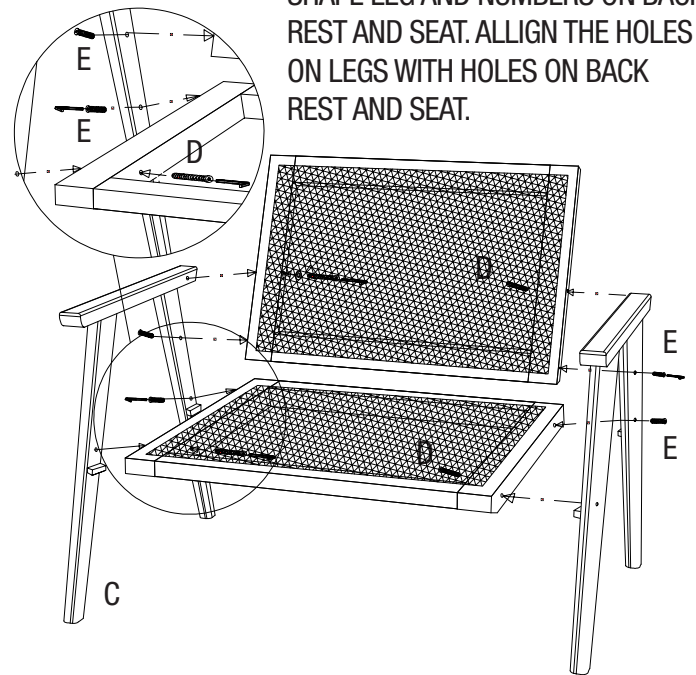
STEP 1

LAY THE BACK REST AND SEAT UPSIDE DOWN ON PROTECTIVE SURFACE.



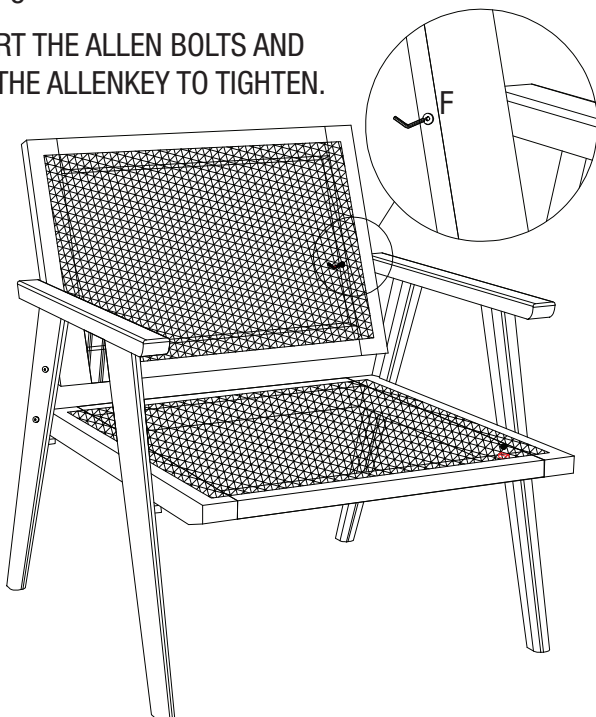
STEP 2

COORDINATE THE NUMBERS ON U SHAPE LEG AND NUMBERS ON BACK REST AND SEAT. ALIGN THE HOLES ON LEGS WITH HOLES ON BACK REST AND SEAT.



STEP 3

INSERT THE ALLEN BOLTS AND USE THE ALLENKEY TO TIGHTEN.



FINAL

