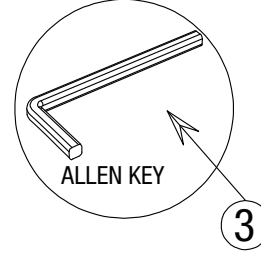
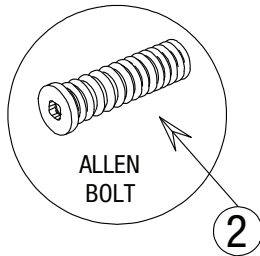
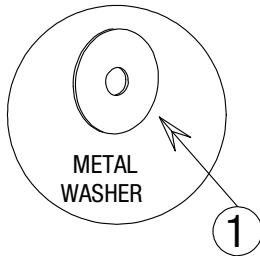


ASSEMBLY INSTRUCTIONS
SANTALI TABLE

| | PART LIST | QTY. SMALL | QTY. BIG |
|---|--------------|---------------|-------------|
| 1 | METAL WASHER | 6 | 6 |
| 2 | ALLEN BOLTS | 6 | 6 |
| 3 | ALLEN KEY | - | 1 |

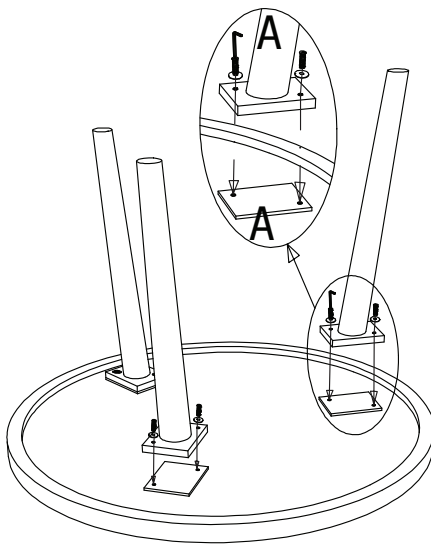
STEP 1

Lay the top up side down on protective surface.



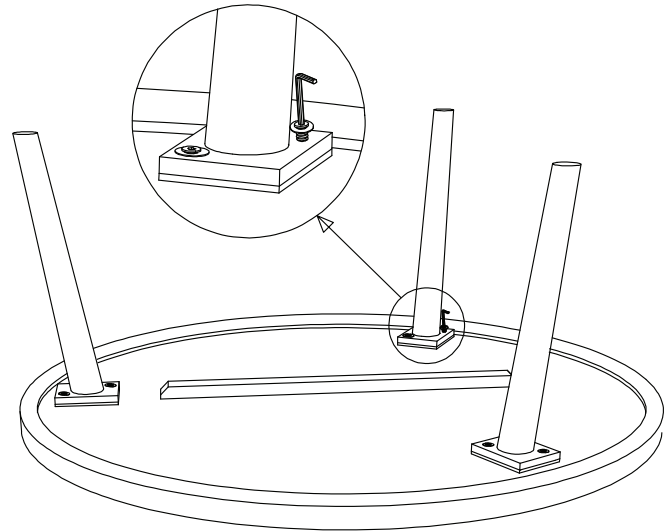
STEP 2

Coordinate the numbers on leg & numbers on top .
Align the holes on legs with holes on top



STEP 3

Insert the allen bolt with metal washer, use the allen key to tighten the allen bolt.
Repeat step 2 & 3 for other legs.



ASSEMBLED VIEW

