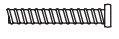


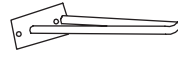
## PARTS



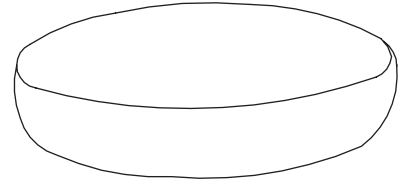
A x 8



B x 1

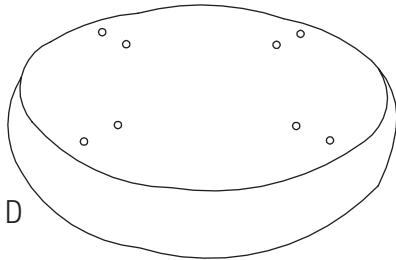


C LEG x 4

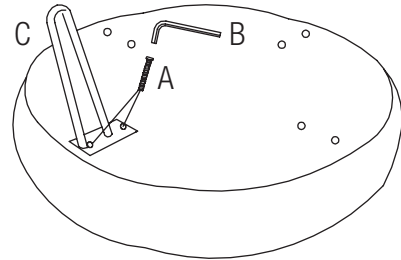


D x 1

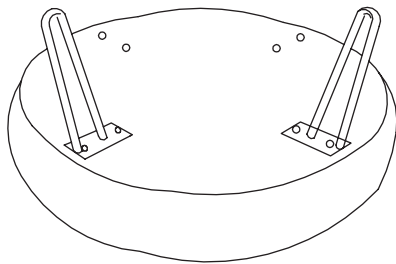
## STEP 1



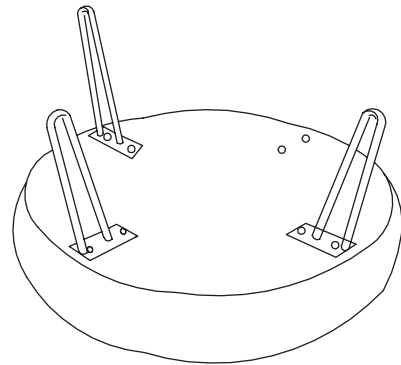
## STEP 2



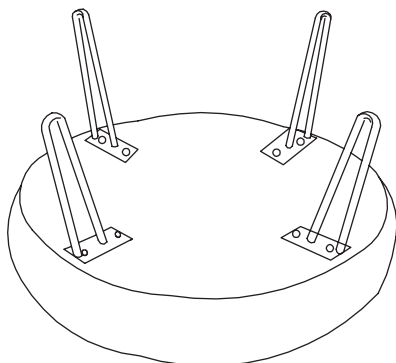
## STEP 3



## STEP 4



## STEP 5



## FINAL

