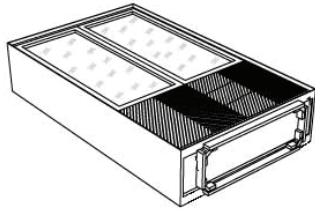
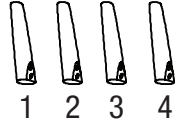


## PARTS



A x 1



B x 4



C x 8

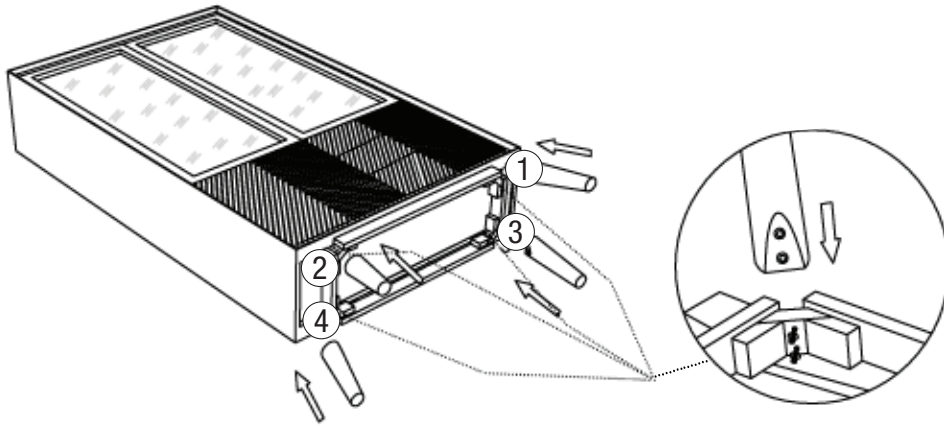


D x 8

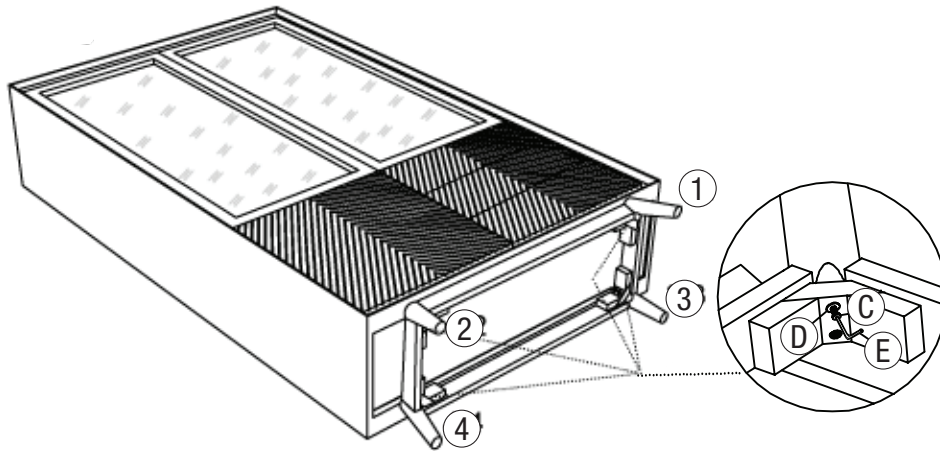


E x 1

## STEP 1



## STEP 2



## FINAL

