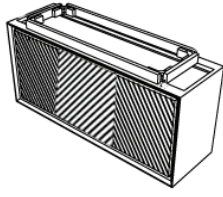
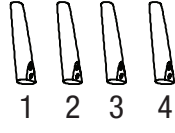


PARTS



A x 1



B x 4



C x 8

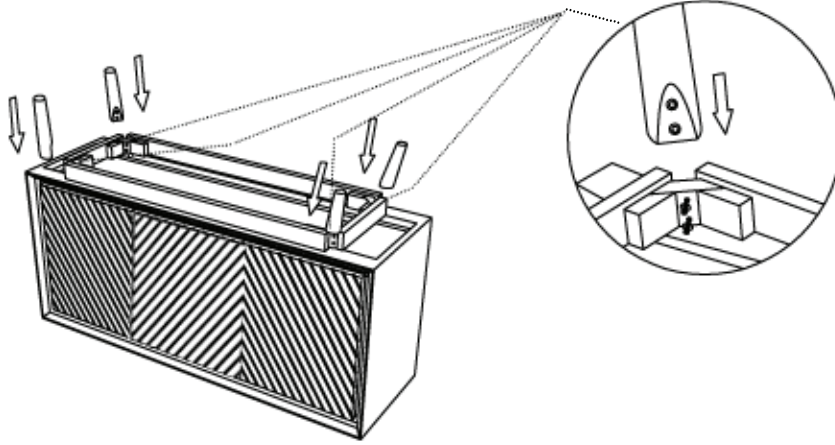


D x 8

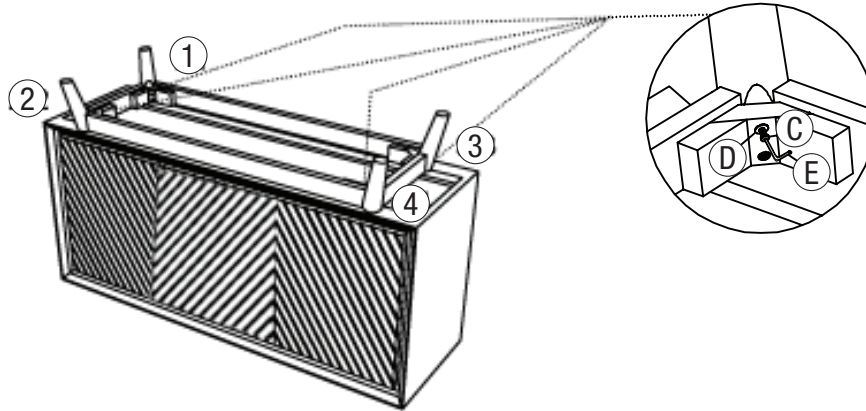


E x 1

STEP 1



STEP 2



FINAL

