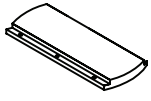


# amalfi

ASSEMBLY INSTRUCTIONS  
HOLT COAT RACK

ITEM NO: VNFU 01WH

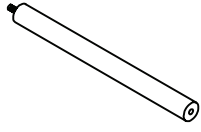
## PARTS



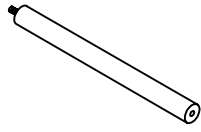
A x 1



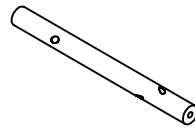
B x 2



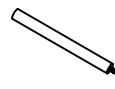
C x 1



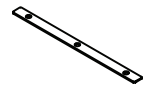
D x 1



E x 1



F x 6



G x 2



H x 1

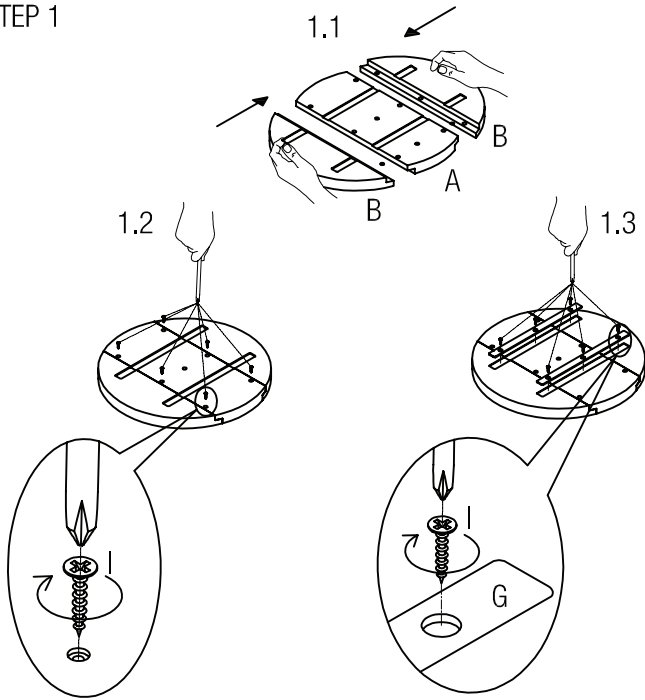


I x 12

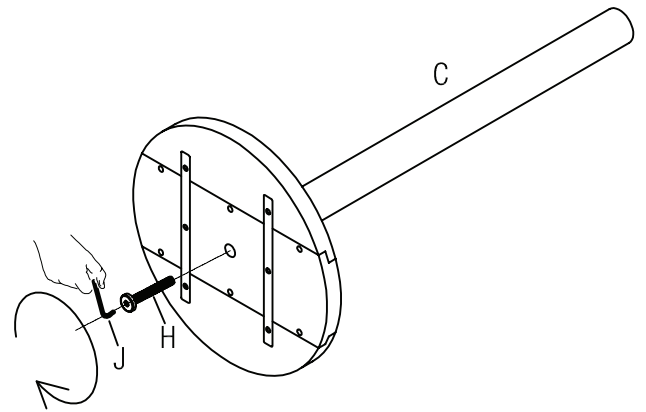


J x 1

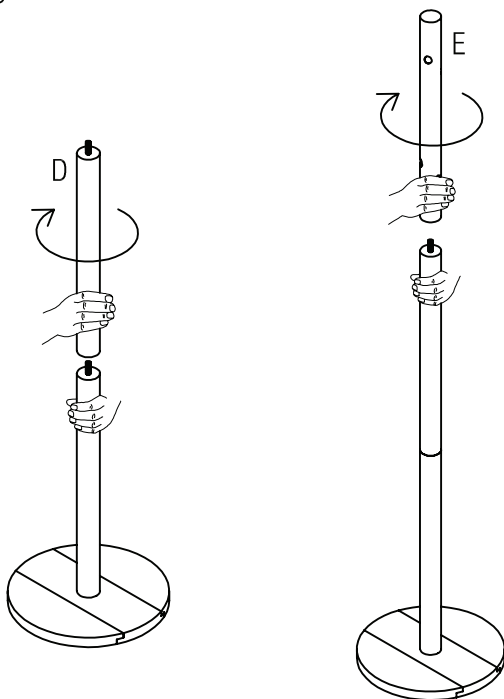
## STEP 1



## STEP 2



## STEP 3



## STEP 4

