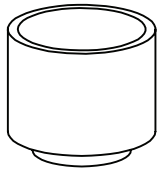
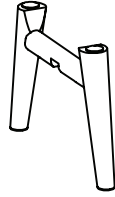


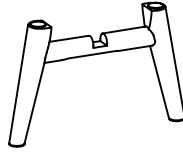
PARTS



A x 1



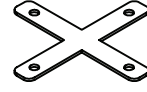
B x 1



C x 1

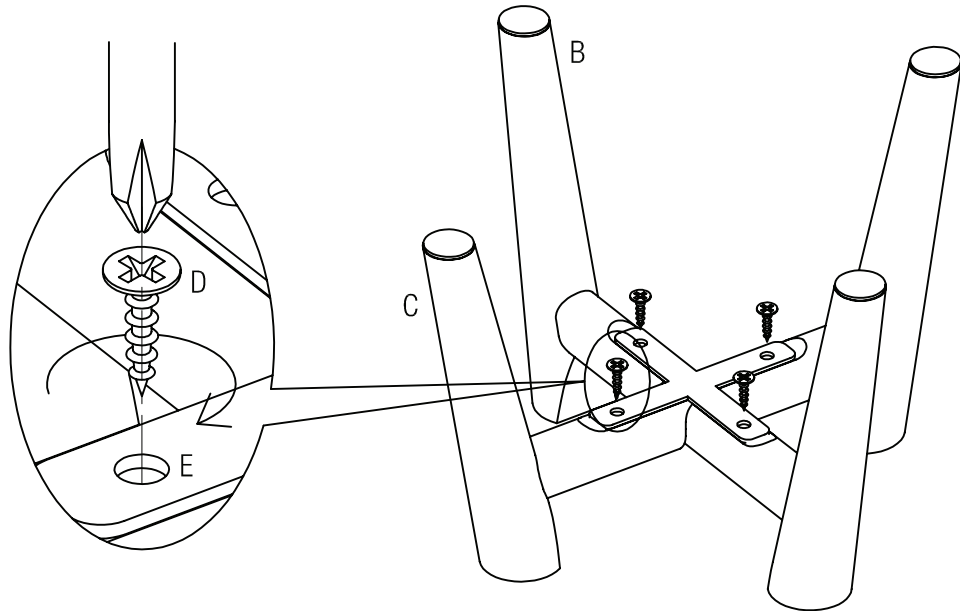


D x 4



E x 1

STEP 1



STEP 2

