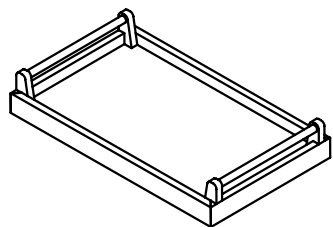
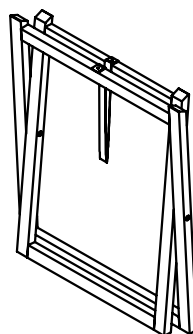


## PARTS

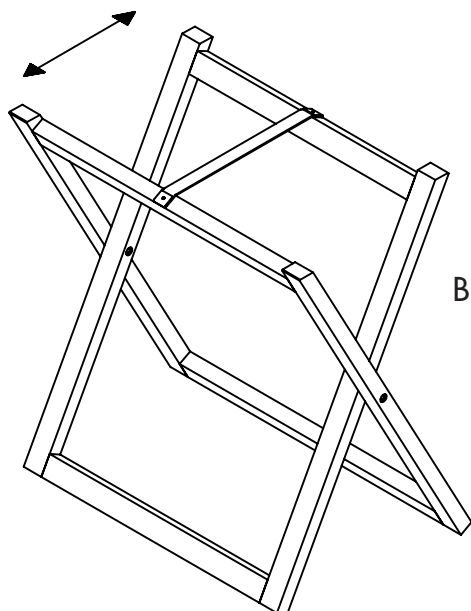


A x 1

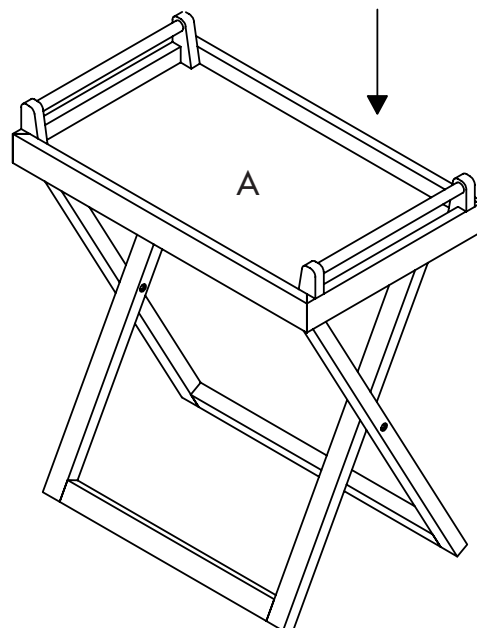


B x 1

## STEP 1



## STEP 2



## FINAL

