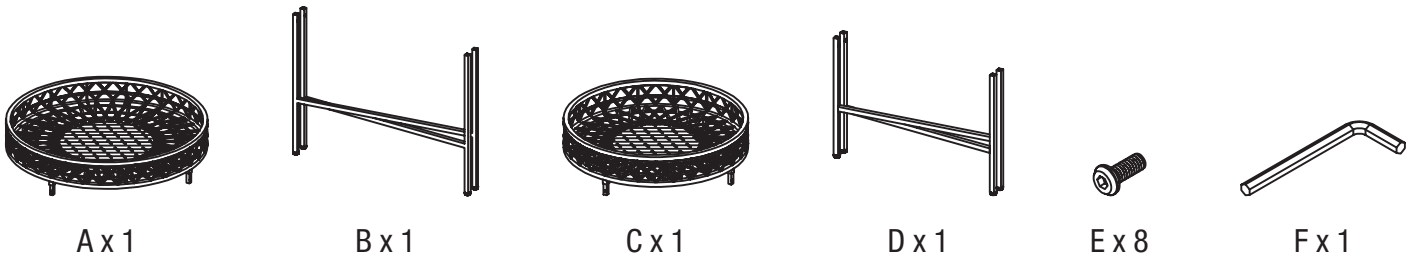
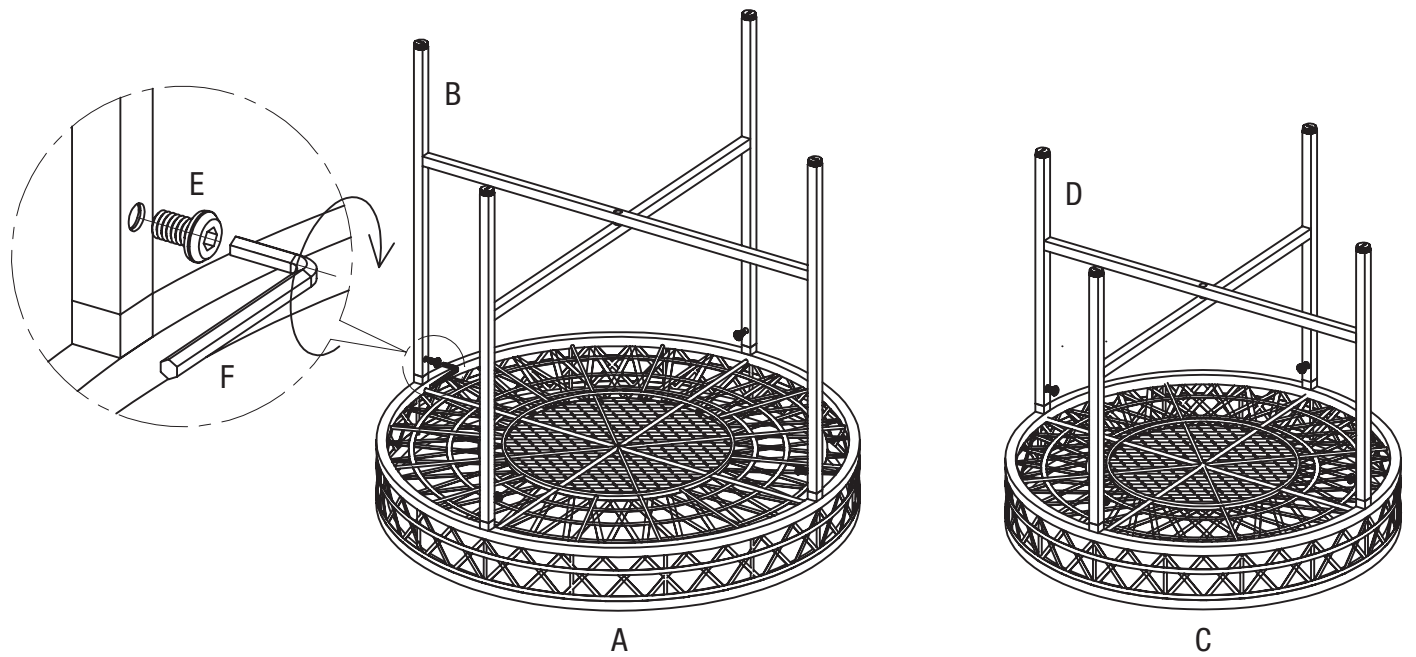


PARTS



1



2

