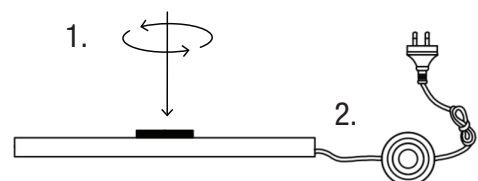
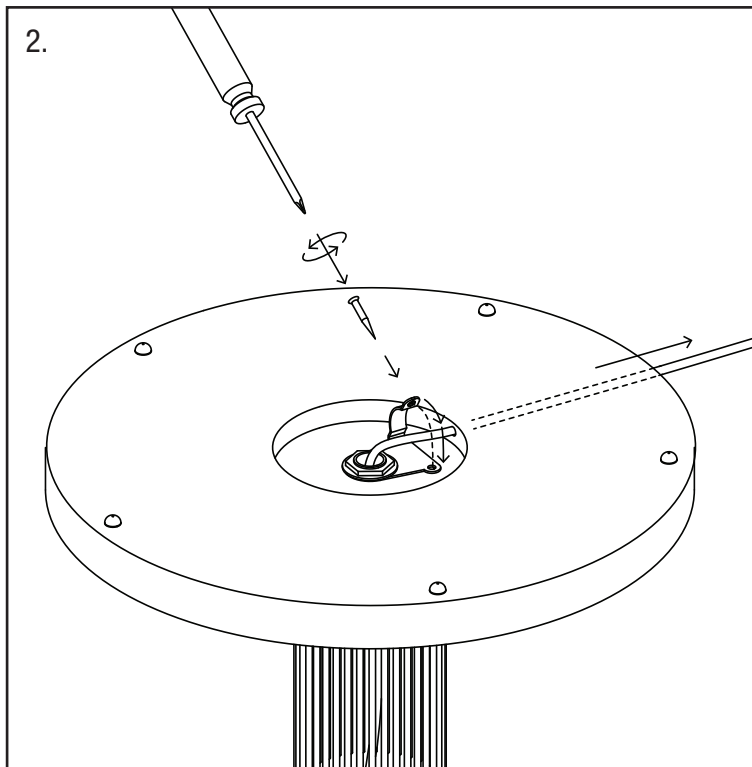
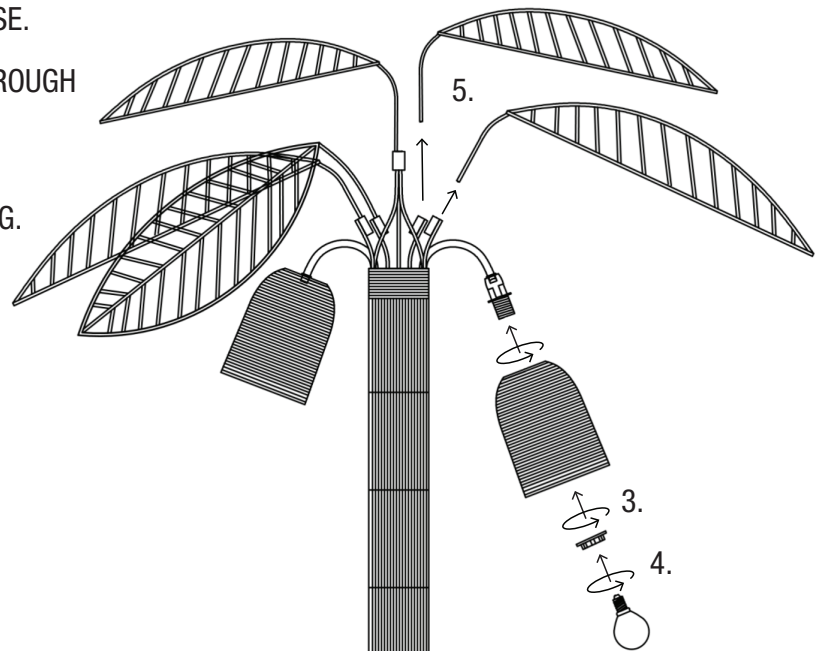


1. SCREW THE TRUNK TIGHTLY ONTO THE BASE.
2. PULL THE CABLE FIRMLY (BUT GENTLY) THROUGH THE BASE. SCREW THE METAL CABLE GRIP ACROSS THE CABLE AS SHOWN.
3. ATTACH THE SHADE USING THE SHADE RING.
4. SCREW IN THE LIGHT BULB.
5. INSERT THE LEAVES.



THIS ITEM HAS A "TYPE Y" CORD  
IF THE EXTERNAL FLEXIBLE CABLE OR CORD OF THIS LUMINAIRE IS DAMAGED,  
IT SHALL BE EXCLUSIVELY REPLACED BY THE MANUFACTURER OR HIS SERVICE AGENT  
OR A SIMILAR QUALIFIED PERSON IN ORDER TO AVOID A HAZARD.