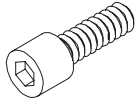


## PARTS



A x 4



B x 4



C x 4



D x 4



E x 1

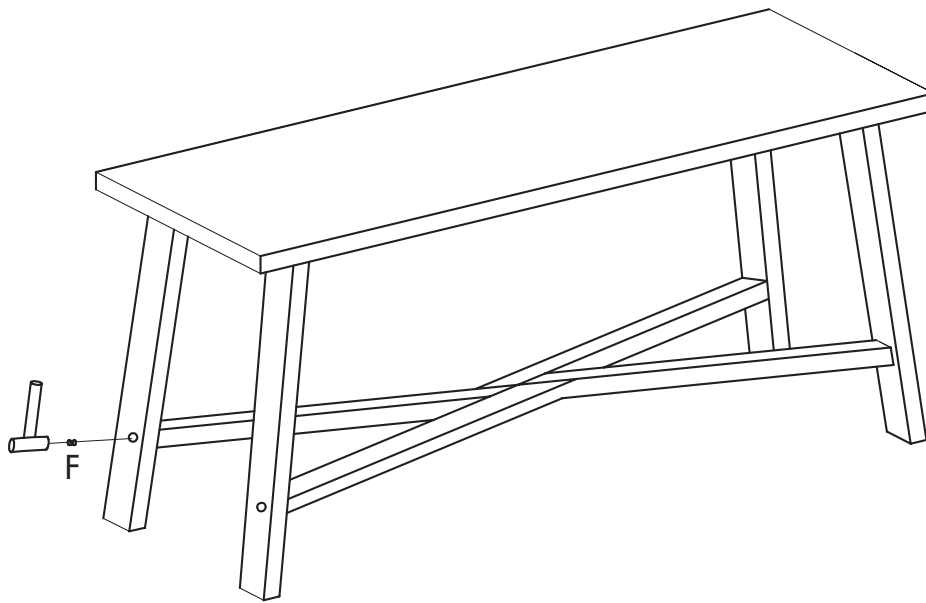


F x 4



G x 1

## STEP 1



## STEP 2

